

PRE-ASSEMBLY MANUAL OF THE STERI-CENTER SCX5
TR-05-000156

CAUTION !

Please refer to the "Technical Specifications" document to locate the various cut-outs of your configuration and note that this document contains only a general representation of the modules, some details may differ.



Triangle Furniture Systems

PART OF PLANMECA GROUP

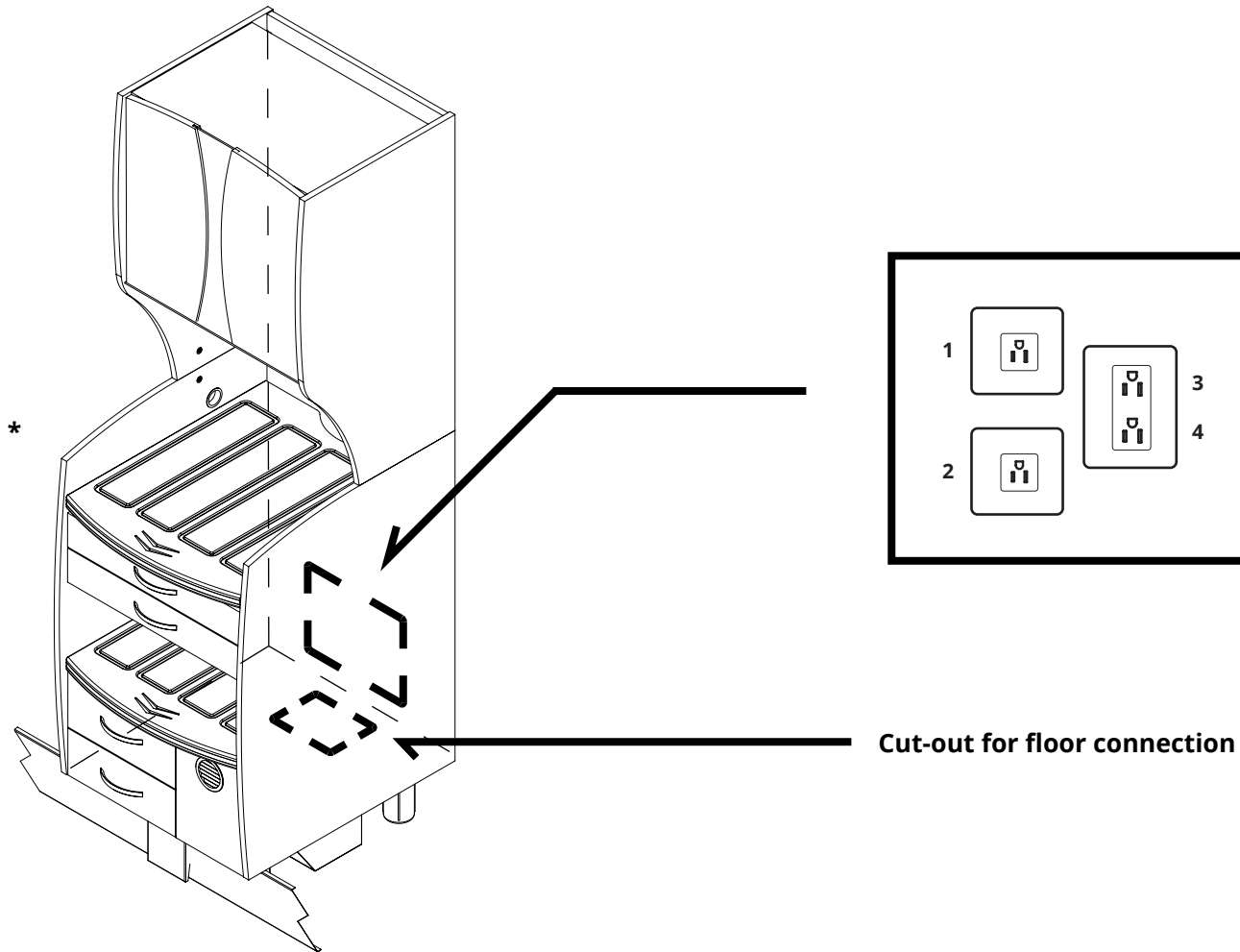
INTRODUCTION

This document contains all the necessary information for the pre-assembly of the Steri-Center SCX5. Look carefully at the various steps to ensure the process is done right and pay attention to the instructions in **bold**.

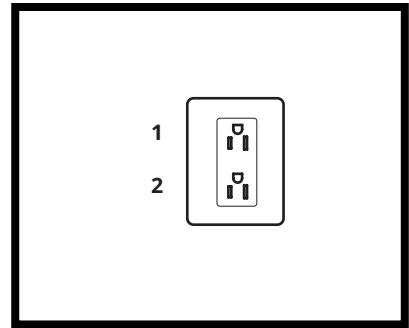
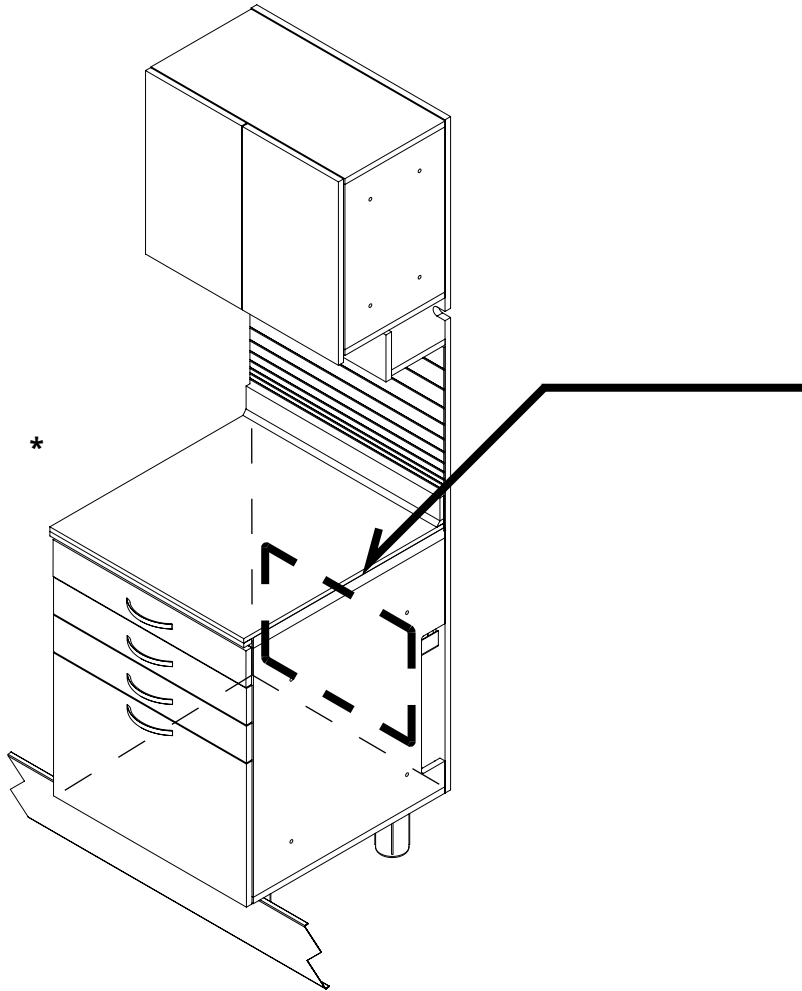
Note: The information in this manual resumes the whole process of the pre-assembly of the Steri-Center SCX5. If, at any of the steps, there are differences between the manual and the local building codes, the latter will always take precedence. For more details, please contact Triangle Furniture Systems.

To provide the latest, most up to date products, Triangle can make changes without further notice. However, all the efforts will be applied to update the instructions as quickly as possible.

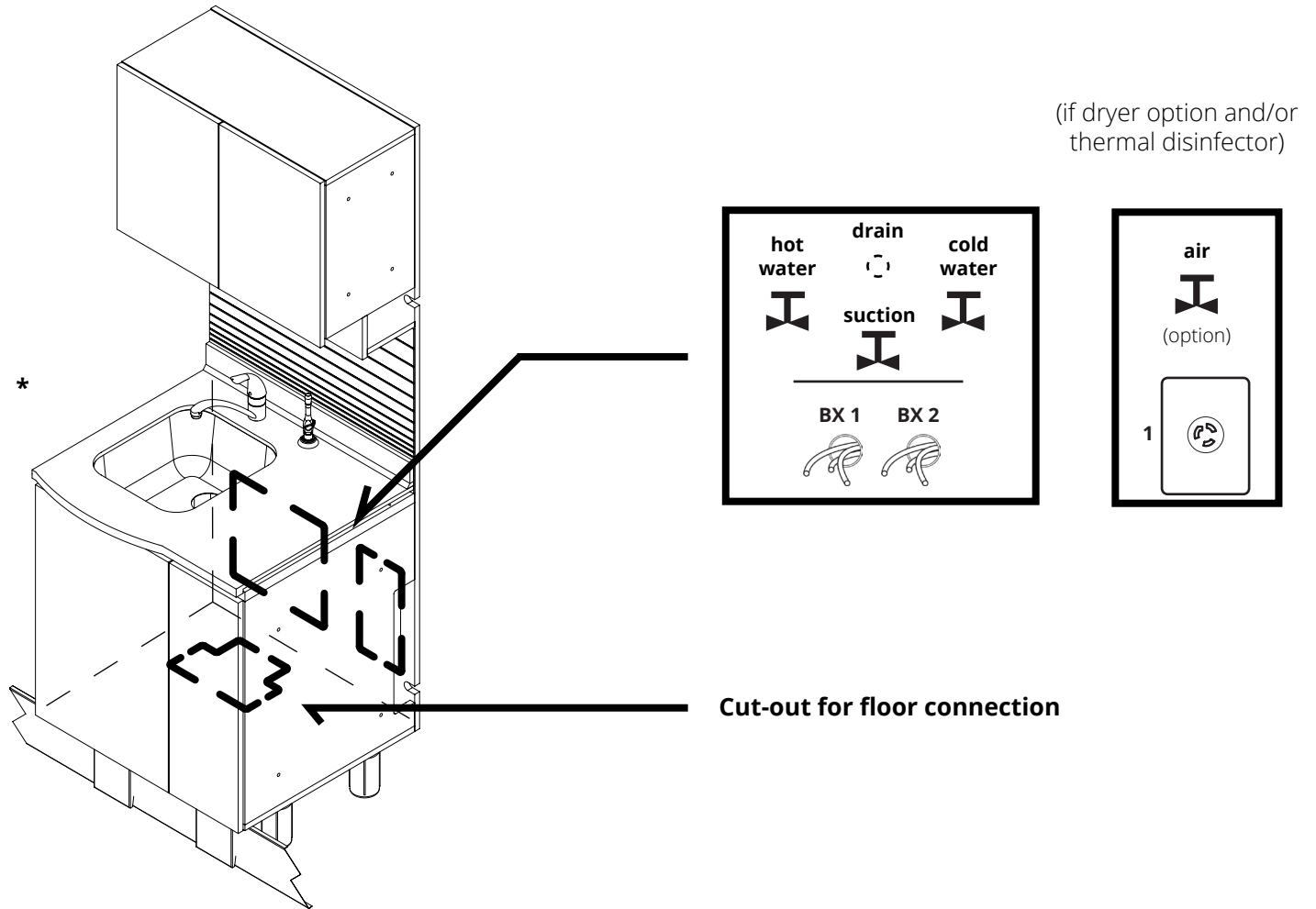
Before starting the install, the technician or entrepreneur must analyze the composition and the strength of the floor (concrete or wood), verify if a wall anchor is mandatory and finally, inspect the composition and strength of the wall (gypsum board, concrete or wooden material).



	VOLTAGE	AMPERAGE	ISOLATED	GFCI	USE
OUTLET 1	120V / 210V	20A	YES	YES	Steriliser (See manufacturer specs.)
OUTLET 2	120V	20A	YES	YES	Statim® (See manufacturer specs.)
OUTLET 3	120V	20A	NO	NO	Sterile storage fan
OUTLET 4	120V	20A	NO	NO	Accessory outlet

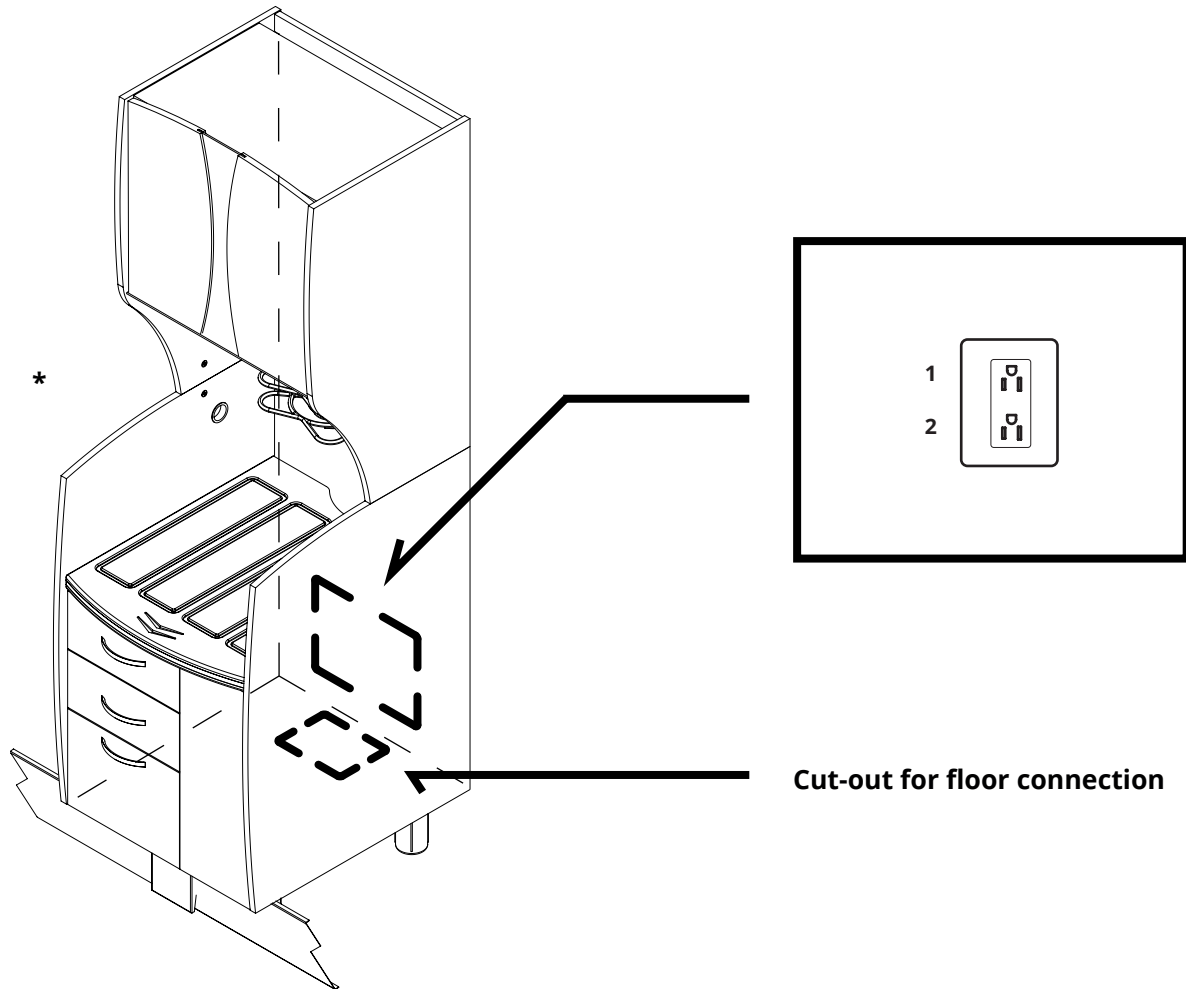


	VOLTAGE	AMPERAGE	ISOLATED	GFCI	USE
OUTLET 1	120V	20A	NO	NO	Ultrasonic cleaner
OUTLET 2	120V	20A	NO	NO	Accessory outlet



	VOLTAGE	AMPERAGE	ISOLATED	GFCI	USE
ENTRY BX 1	120V	20A	NO	NO	Lights and automatic doors
ENTRY BX 2 (OPTION)	120V	20A	YES	NO	Dryer
OUTLET 1	120V / 220V	20A	YES	YES	Thermal disinfecteur (See manufacturer specs.)

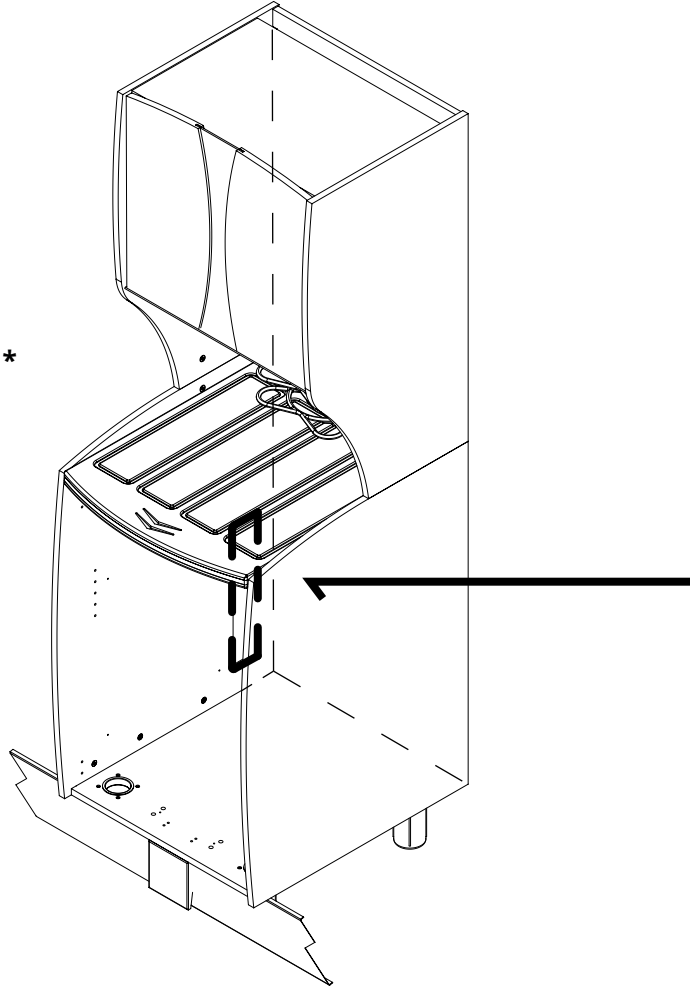
The rough-in must be at 4" for every plumbing service entry.



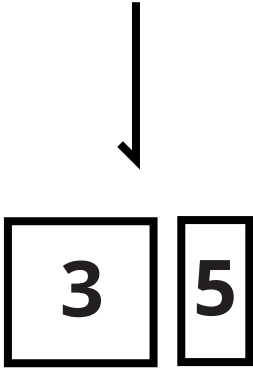
Cut-out for floor connection

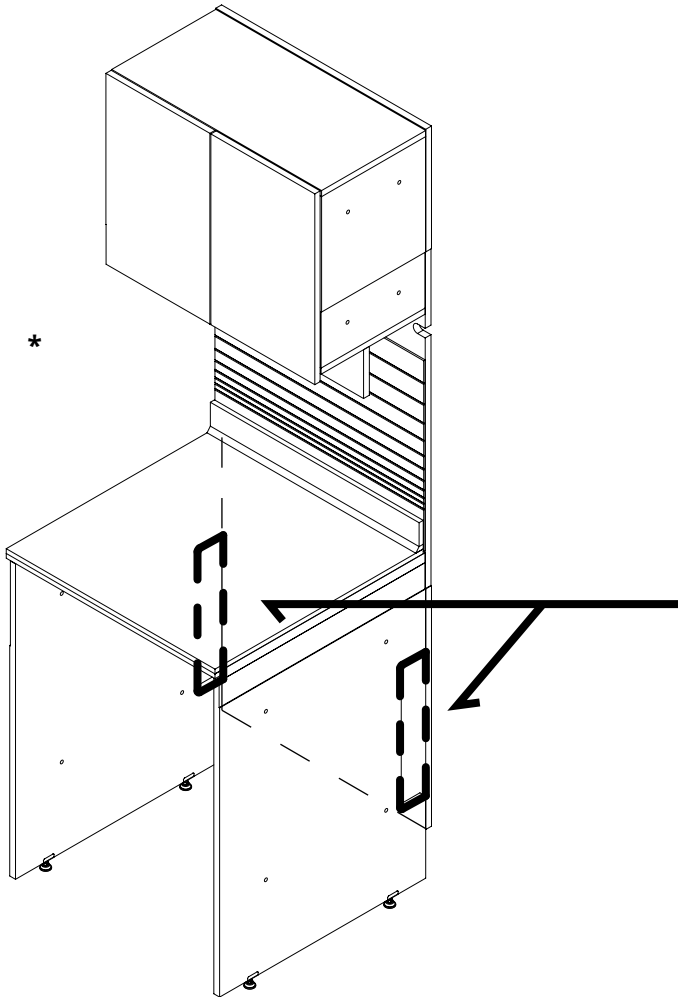
	VOLTAGE	AMPERAGE	ISOLATED	GFCI	USE
OUTLET 1	120V	20A	NO	NO	Ultrasonic cleaner
OUTLET 2	120V	20A	NO	NO	Accessory outlet

If there is a thermal disinfecter, see next page!

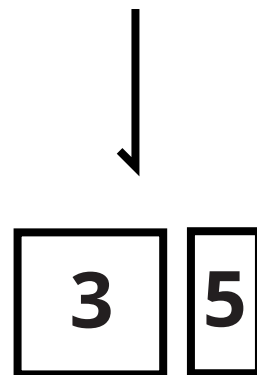


If there is a thermal disinfector, the access to the services takes place in the cut-out Nº 3 and Nº 5.





If there is a thermal disinfector, the access to the services takes place in the cut-out N°3 and N°5.



REQUIREMENTS

1. Plumbing

1.1 Water

Hot and cold water supplies are required with a pressure between **40 and 130 psi** (300-900 kPa / 3 to 9 bar) and a minimal outflow of **1.05 gal/min** (4L/min).

1.2.Drain

The sink needs to be connected to a standard drain.

1.3 Air (according to options)

The Steri-Center SCX5 has a 3/8" O.D. compression fitting. The air entry has to have an air pressure between 550-900 kPa (5.5-9 bar / 80-130 psi) and an outflow of at least 55L/min. The connection to the regulator takes place in the sink module. The regulator is preset **at 65 psi**.

1.4 Suction

The Steri-Center SCX5 comes with a 1/2" O.D. tubing to connect the suction head to the pump.

2. Electricity

2.1 Electrical wiring

A **120 VAC / 20 A** entry is required to connect the primary junction box. And, according to the options selected, other entries might be needed.

For more information, please contact Triangle at :

Triangle Furniture Systems inc.
+1.(877).424.4040
trisaless@triangle-online.com

v2